

ITEM NO.	PART NO.	DESCRIPTION	QTY.
1	H296	guard, cooling fan, wire	2
2	H304	screw, #8 x 5/8 phil oval, s/s	14
3	H216	nut, lock, 1/4-20, nylon insert, s/s	10
4	H210	washer, 1/4" flat, s/s	19
5	H342	bolt, 1/4-20 x 1" hex head, s/s	8
6	H668	caster, 4", black hub & gray tread	2
7	H254	washer, axle, cut 1/2" id	4
8	H109	wheel, 10", foam filled	2
9	H042	c-clip, 12mm, external	2
10	H371	axle, 18.03" x .50" dia	1
11	AH184	sol hose, pulse, 3/8" x 14.5" fsw x 1/4 fsw x 1/4 fpt	1
12	AH156	hose, 3/8", (OAL), f x fs, 5400 gray	1
13	B103	elbow, brass, 90 deg, 1/4"mpt x 1/4" fpt	2
14	H273	nut, kep, #10-32 zinc	6
15	H528	bracket, heater mounting, dual	1
16	H256	screw, 10-32 x 3/4" phil pan head, zinc	6
17	E571	heating rod, 600W, 115V	2
18	B142	coupling, brass, 1/4" fpt x 1/4" fpt	1
19	B108	valve, brass, 1/4" check	1
20	H274	screw, 6 x 3/16, phil pan head, self-tapping	10
21	H903A	heater, aluminum cast, single	2
22	E573	Thermostat, 200°, Auto, 1/4"	2
23	E574	Thermostat, 310°F ± 10°F, Manual, 1/4"	2
24	AH120	sol hose, 28" x 1/4", 1/4 fpt	2
25	H221	nut, lock, 1/2" steel	1
26	H220	fitting, strain relief, cord	1
27	E531	power cord, end, 25', 12/3 black	1
28	P731	base	1
29	PH615-34	sol hose, 1/2" kuri 100psi	1
30	B160	adapter, brass, 1/2" barb x 3/8" fsw, ball end	1
31	B186	elbow, brass, 90 deg, 3/8"mpt x 3/8" fmpt	1
32	B652	elbow, brass, 90 deg, 3/8"mpt x 1/4"mpt	1
33	H299	washer, 11/16" id x 1-1/2" od x .075, s/s	4
34	H222	screw, 10-32 x 1-1/4" phil pan head, s/s	4
35	C305	pump, 120 psi, 115V	1
36	B172	elbow, brass, 90 deg, 1/2" barb x 3/8"mpt	1
37	B173	ferrule, 1/2", brass	2
38	H912	bracket, rear, fb/spy	1
39	H770	bolt, 1/4-20 x 1/2" serrated hex flange, zinc	8
40	H307	washer, star, 1/4" steel zinc	2
41	H217	clamp, hose, 2-1/4 dia	2
42	PH628-24	vac hose, 2", wire reinforced	1
43	H124	Cuff-Lynx, 2" mpt x 2" female cuff	2
44	H194	coupler, 2" dia x 2.5" length, s/s	1
45	H203	bolt, 1/4-20 x 1-1/4"	2
46	H211	washer, 1/4" id x 1" od, flat, s/s	4
47	G052	washer, buna 1-1/8" od x 3/16" id	4
48	H213	washer, 1/4" lock, s/s	7
49	H215	nut, hex, 1/4-20 s/s	2
50	G018	cover, sol tank (sp)	1
51	P732	sol tank, speedster	1
52	B107	nipple, brass, 1/4"m, hex	2
53	H484	plate, mounting, QD	1
54	B111	adapter, brass, extender, 1/4" mpt x 1/4" fpt, hex	1
55	B102	qd, brass, 1/4" f x 1/4" fpt	1
56	H201	bolt, 1/4-20 x 1/2", hex head, zinc	2
57	H378	bracket, front hinge, sp/fb	1
58	H316	bolt, 1/4x1-1/2", hex head zinc	2
59	B119A	filter, strainer, 1/2"	1
60	B210	bushing, brass, 1/2"mpt x 3/8" fpt, hex	1
61	B216	nipple, brass, 3/8" x close	1
62	H226	spout, drain, 45 degree	1

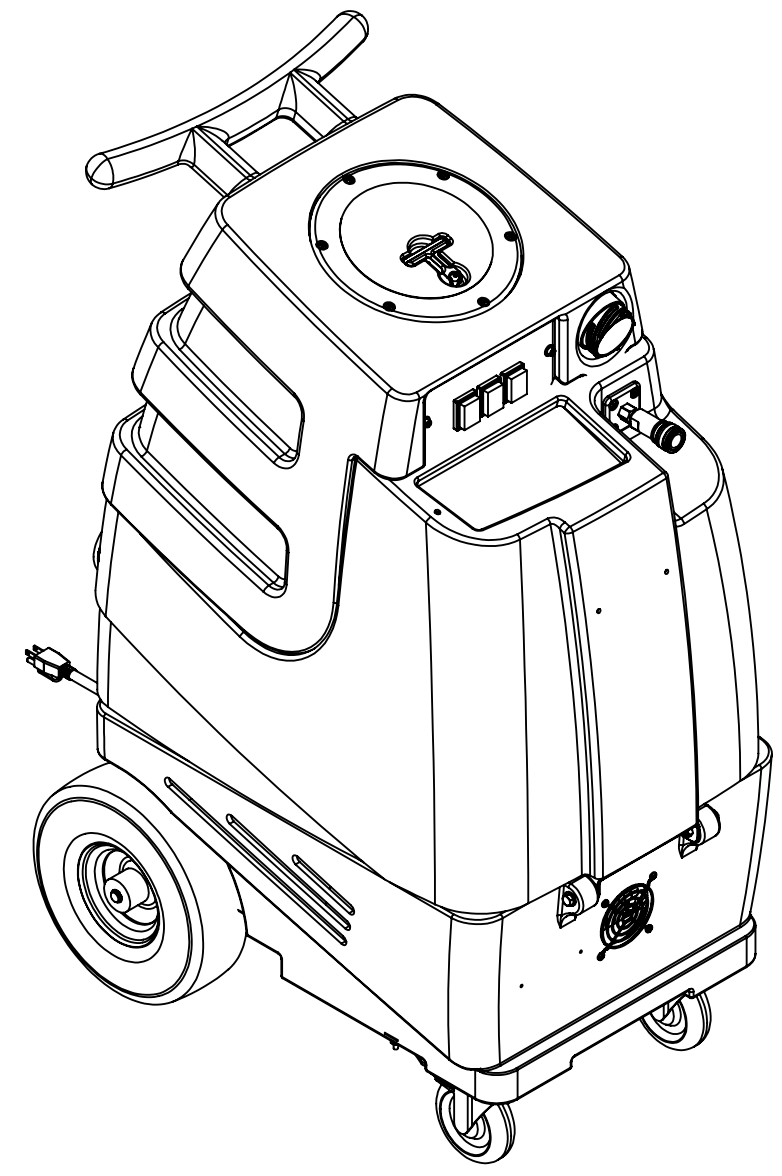
ITEM NO.	PART NO.	DESCRIPTION	QTY.
63	H225	valve, drain, 1-1/2"	1
64	P733	vac tank, speedster	1
65	A926	elbow, inlet assembly 2"	1
66	PH633-03	pipe, pvc, 1-1/2"	1
67	P503	adapter, 1.5" pvc, 45 deg, fslip x fslip	2
68	PH633-4	pipe, pvc, 1-1/2"	1
69	PH633-06	pipe, pvc, 1-1/2"	1
70	H343	screw, 10 x 5/8" hex head, zinc	3
71	P755	elbow, U, 180, 1-1/2", float	1
72	G091	gasket, 7", vac lid	1
73	G090	lid, vac tank, clear, 7"	1
74	H490	float, 2"/ 1.5" ball style	1
75	P520	adapter, pvc, 1-1/2" mpt x 1-1/2" fms	1
76	H314	nut, lock, 1-1/2", steel	1
77	H135V	Cuff-Lynx, 2" male cuff x 2" male thread starter cuff, vinyl	1
78	E515	switch, rocker, 2 position	3
79	H389	screw, 10-32 x 1/2" SHCS, alloy	2
80	H612	Washer, #8, flat regular	2
81	H338	plate, switch, sp, 3 hole	1
82	G004	gasket, vacuum motor	1
83	H503	vac support, 3 stage, 3.25", no thrds	3
84	H390A	bracket, "L"	2
85	H096	bolt, hex, 1/4-20 x 4", zinc Finish	3
86	C302LA	vac motor, 3 stage, low amp	1

ITEMS NOT SHOWN

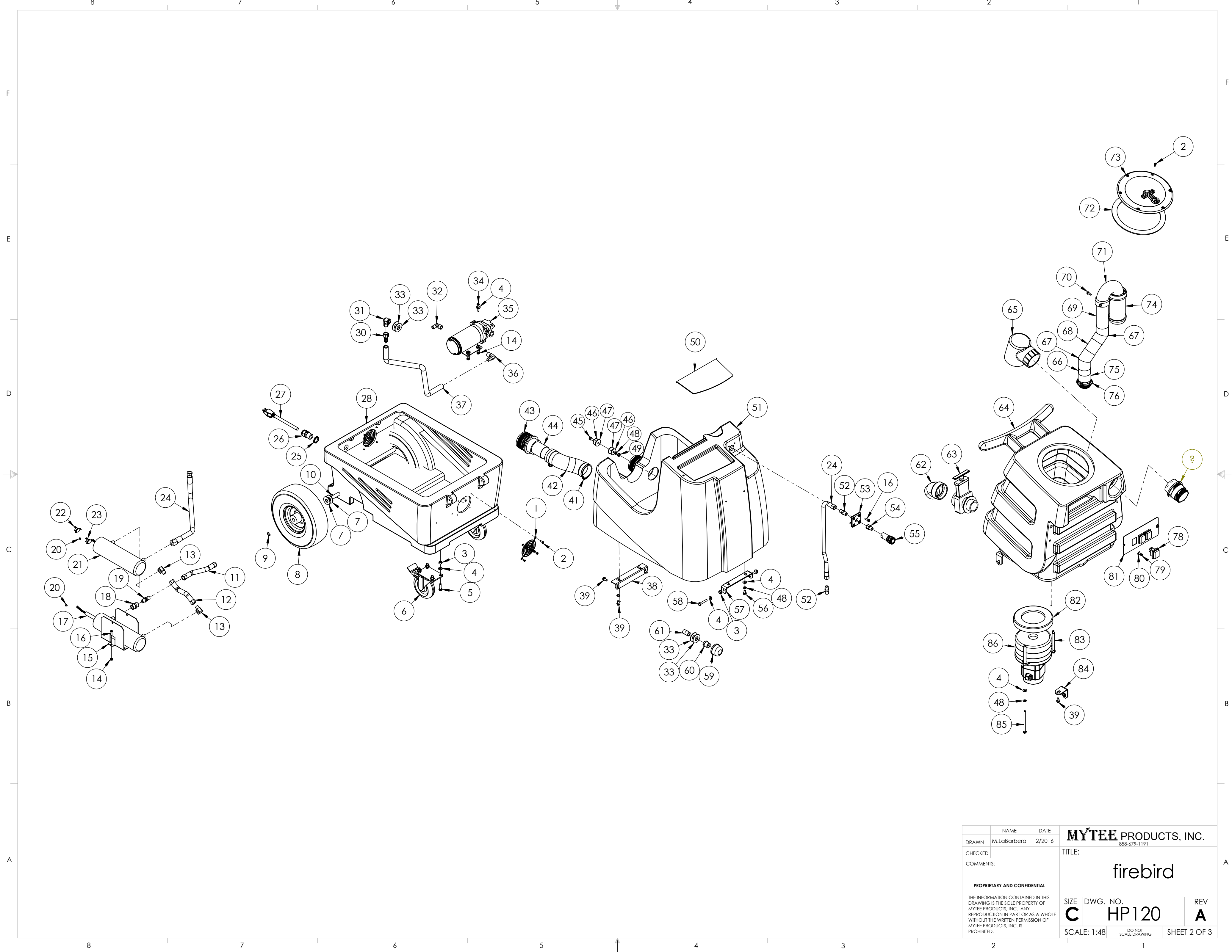
PART NO.	DESCRIPTION	QTY.
ADM-HP100	manual, spyder	1
A999	harness, electrical	1
AH136	sol hose, 1/5" x 15', 1/8 mpt x 1/4 mpt	1
B101	quick disconnect, male, 1/4" male x 1/4" fpt	1
B102	quick disconnect, 1/4" female x 1/4" fpt	1
B104	bushing, hex, 1/4" mpt x 1/8" fpt	1
G008	piglet filter	1
G079	hose wrap, heat guard	1
H133	Cuff-Lynx, 1-1/4" hose x male & female	2
H230	screw, 10-32 x 1/2" phil pan head, s/s	2
8400P	upholstery tool, Air Lite	1
H375	hanger, wire formed, hose	1
H701	hose, vac, 15' x 1-1/4" w/1-1/2" black cuffs	1
H122	Cuff-Lynx, 1.25" hose cuff x 2" female cuff	1
P590	cuties, 1/4" qd, standard pack of 2	1

COMPONENT ASSEMBLIES

ITEM NO.	PART NO.	DESCRIPTION	QTY.
	A907	heater assembly, 1200w, 115v	1
21	H903A	heater, aluminum cast, single	2
17	E571	heating rod, 600W, 115V	2
22	E573	Thermostat, 200°, Auto, 1/4"	2
23	E574	Thermostat, 310°F ± 10°F, Manual, 1/4"	2



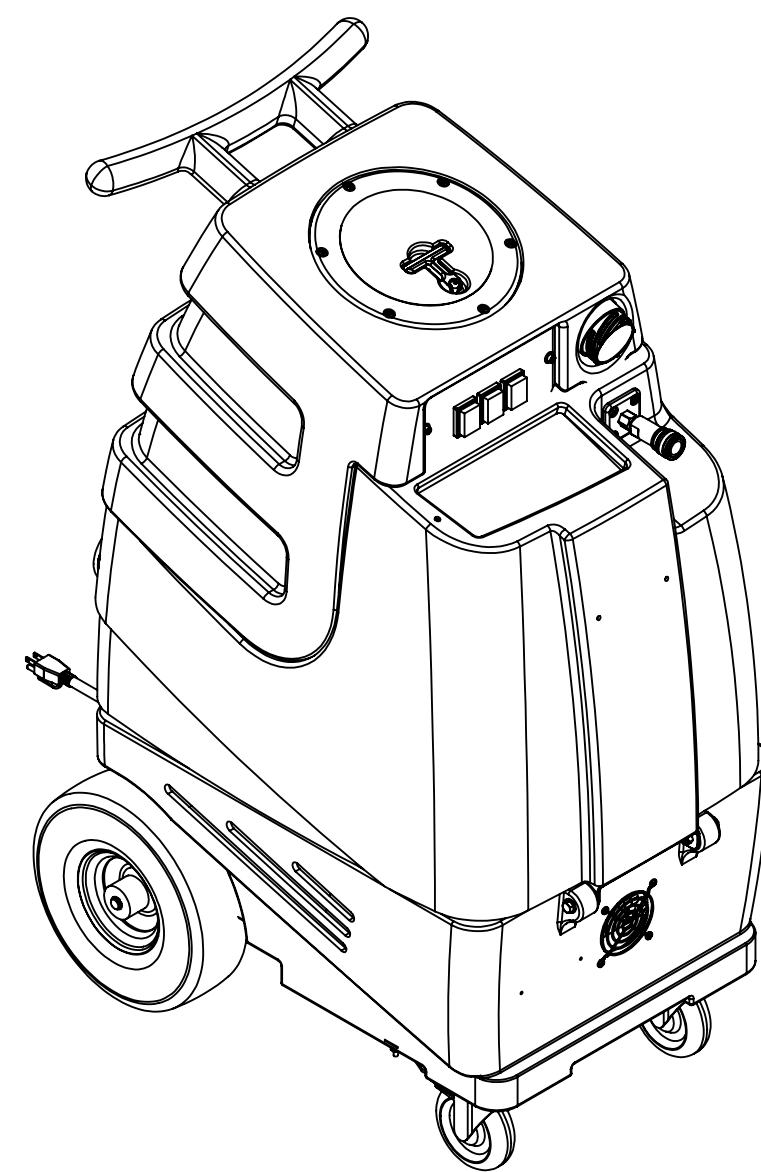
NAME	DATE	MYTEE PRODUCTS, INC. 858-679-1191	
DRAWN M.LaBarbera	2/2016	TITLE:	
CHECKED		firebird	
COMMENTS:		SIZE DWG. NO.	REV
<small>PROPRIETARY AND CONFIDENTIAL</small> <small>THE INFORMATION CONTAINED IN THIS DRAWING IS THE SOLE PROPERTY OF MYTEE PRODUCTS, INC. ANY REPRODUCTION IN PART OR AS A WHOLE WITHOUT THE WRITTEN PERMISSION OF MYTEE PRODUCTS, INC. IS PROHIBITED.</small>		C	A
		SCALE: 1:48	SHEET 1 OF 3



	NAME	DATE	MYTEE PRODUCTS, INC. 858-679-1191		
DRAWN	M.LaBarbera	2/2016	TITLE:		
CHECKED			firebird		
COMMENTS:					
PROPRIETARY AND CONFIDENTIAL			SIZE	DWG. NO.	REV
THE INFORMATION CONTAINED IN THIS DRAWING IS THE SOLE PROPERTY OF MYTEE PRODUCTS, INC. ANY REPRODUCTION IN PART OR AS A WHOLE WITHOUT THE WRITTEN PERMISSION OF MYTEE PRODUCTS, INC. IS PROHIBITED.			C	HP120	A
			SCALE: 1:48	DO NOT SCALE DRAWING	SHEET 2 OF 3

REVISIONS

REV.	DESCRIPTION	DATE	APPROVED
OD	ORIGINAL DRAFT	2/2016	JFL
A	REPLACED H235 w H490	11/14/2016	ML



	NAME	DATE	MYTEE PRODUCTS, INC. <small>858-679-1191</small>	
DRAWN	M.LaBarbera	2/2016	TITLE:	
CHECKED			firebird	
COMMENTS:			SIZE	DWG. NO.
<small>PROPRIETARY AND CONFIDENTIAL</small> <small>THE INFORMATION CONTAINED IN THIS DRAWING IS THE SOLE PROPERTY OF MYTEE PRODUCTS, INC. ANY REPRODUCTION IN PART OR AS A WHOLE WITHOUT THE WRITTEN PERMISSION OF MYTEE PRODUCTS, INC. IS PROHIBITED.</small>			C	HP120
			SCALE: 1:48	DO NOT SCALE DRAWING
			SHEET 3 OF 3	